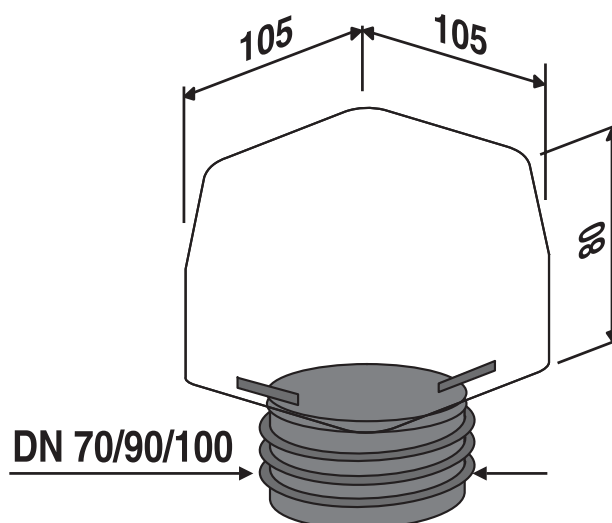




11A24000099

SANIT ventilair active DN 70-100

Articlenumber

11.A24.00..0099

product description

ventilair active suitable for DN 70/90/100
for accessible external areas for filtering gases arising in
domestic sewage systems, toilet lifting systems, existing open
vents, e.g. oil tanks, septic tanks, etc.
tested by TÜV Rheinland LGA Products GmbH, air flow volume
at 250 PA = 3.33 l/s = 12 m³/h, frost resistant to -20degC in
accordance with DIN EN 12380, UV light resistant plastic cover,
with rubber connector for use in unpressurised applications