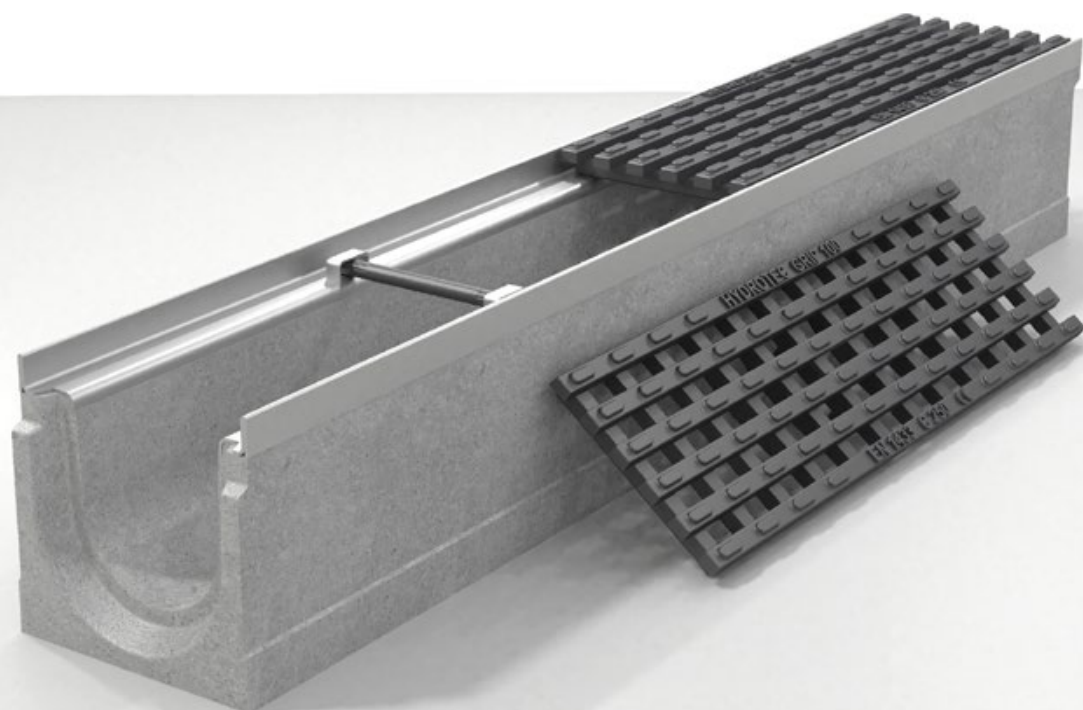


# HYDROTEC

SYSTEM TOP

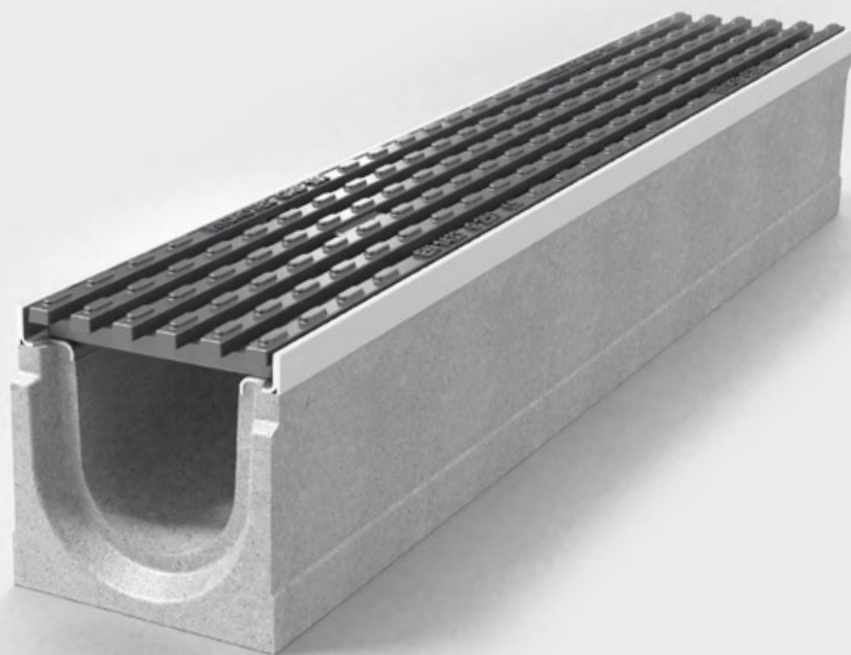


## SYSTEM TOP

### Class A 15 / C 250

#### Drainage Channel made of fibre-reinforced concrete

The system with its hot-dip galvanised steel frame and fibre-reinforced concrete C35/45 is the perfect candidate for drainage on cycle paths, pedestrian paths, schoolyards and car parks.



to DIN EN 1433

concrete strength C35/45



weather-resistant



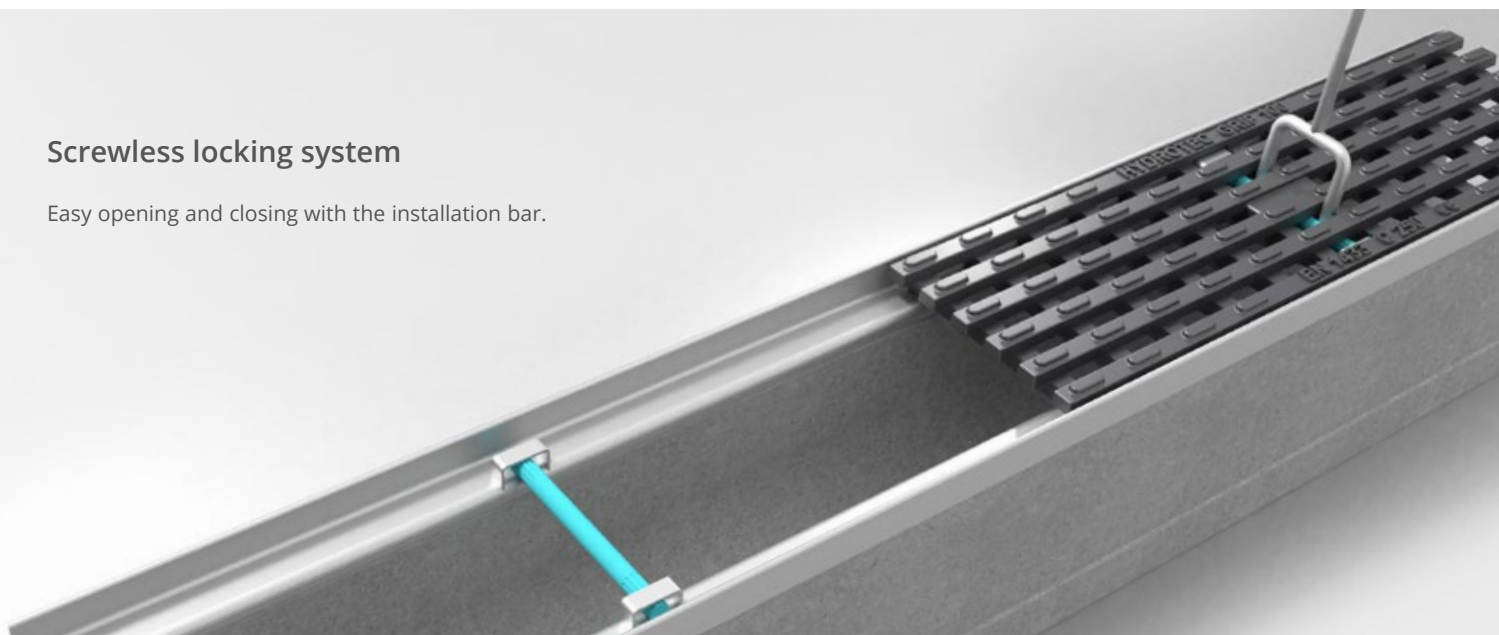
non-flammable



environmentally friendly

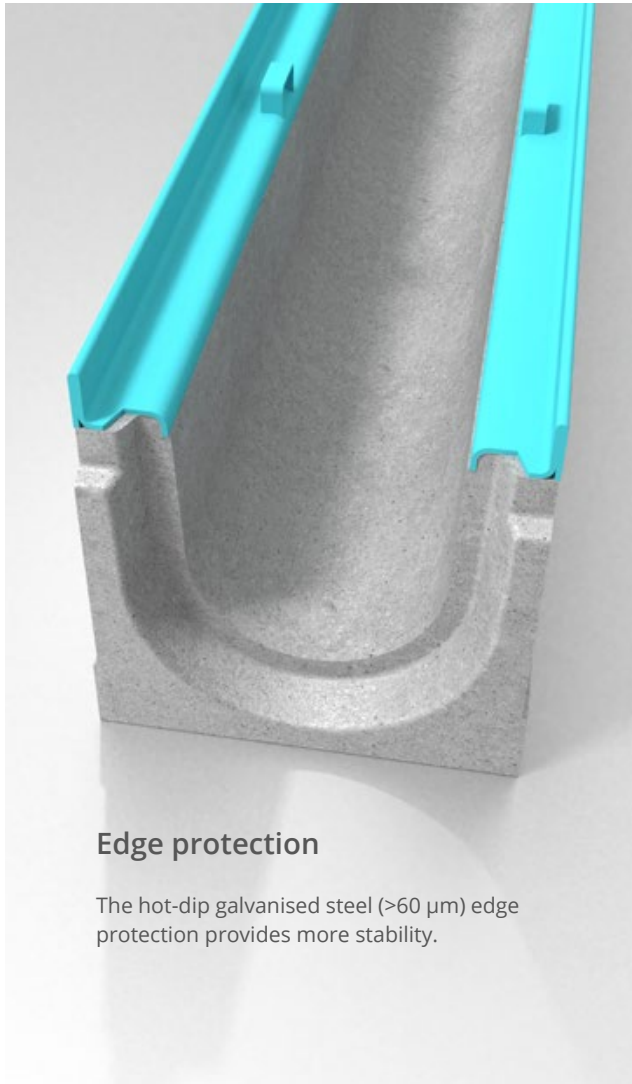
#### Screwless locking system

Easy opening and closing with the installation bar.



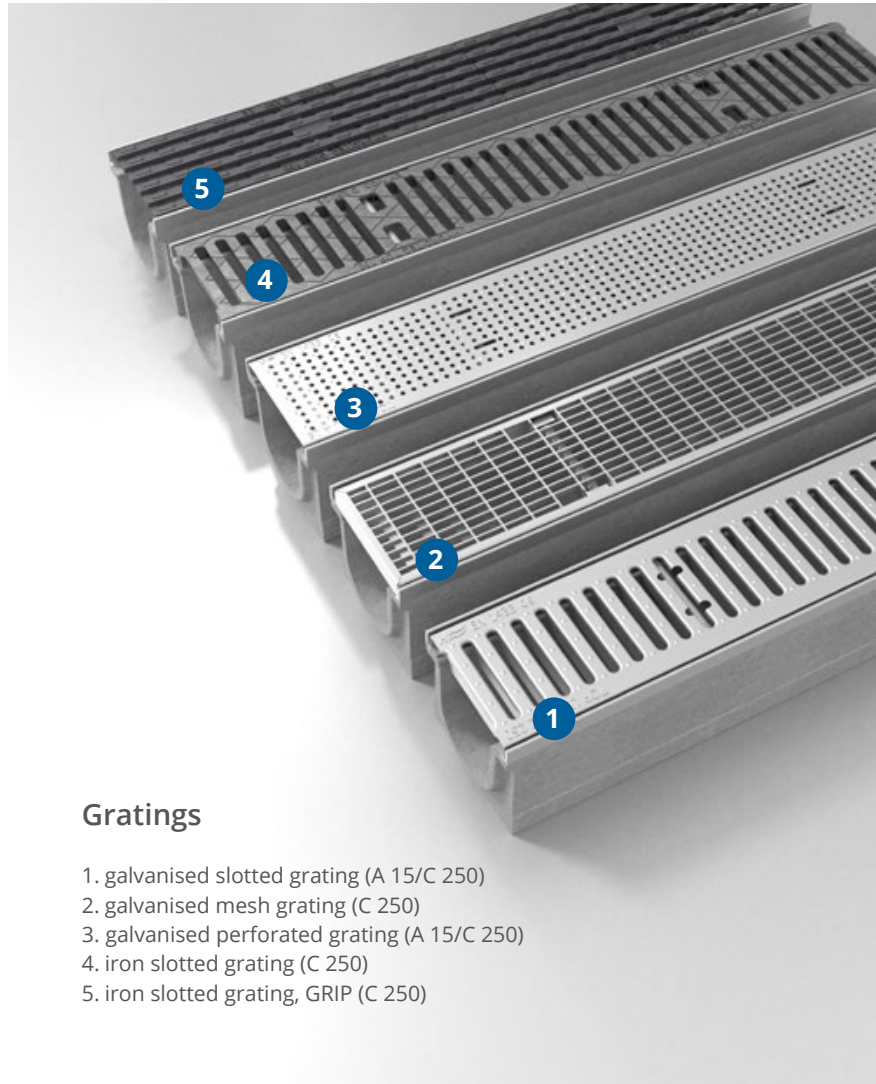
## SYSTEM TOP

### Class A 15 / C 250



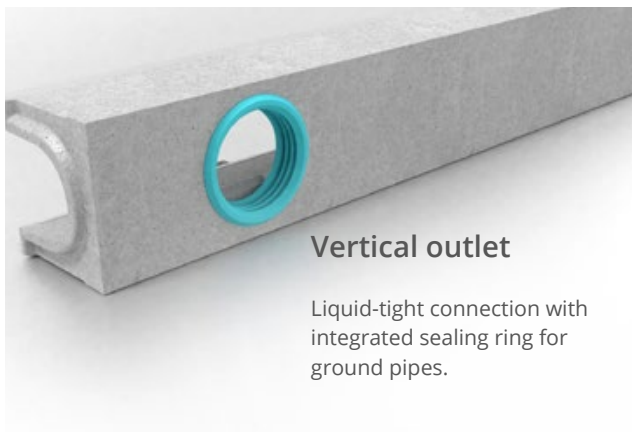
#### Edge protection

The hot-dip galvanised steel (>60 µm) edge protection provides more stability.



#### Gratings

1. galvanised slotted grating (A 15/C 250)
2. galvanised mesh grating (C 250)
3. galvanised perforated grating (A 15/C 250)
4. iron slotted grating (C 250)
5. iron slotted grating, GRIP (C 250)



#### Vertical outlet

Liquid-tight connection with integrated sealing ring for ground pipes.



#### Special element

Can be used as corner or T-element.



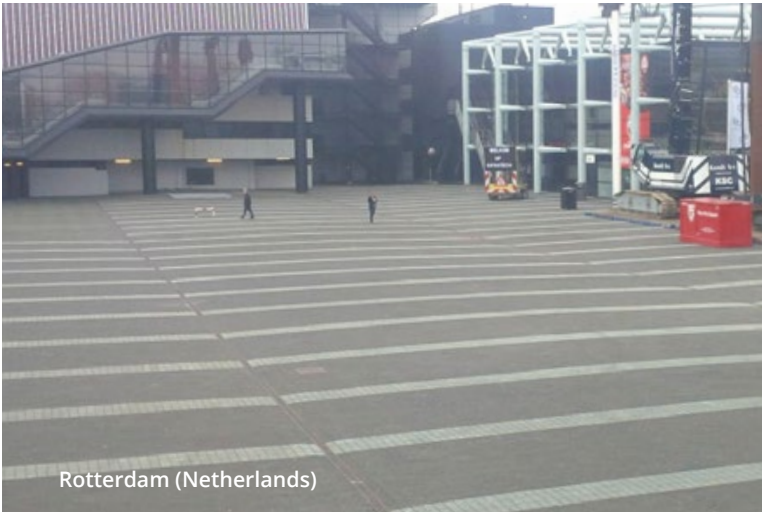
**SYSTEM TOP**  
Class A 15 / C 250



Rastede (Germany)



Wildau - Campus (Germany)



Rotterdam (Netherlands)

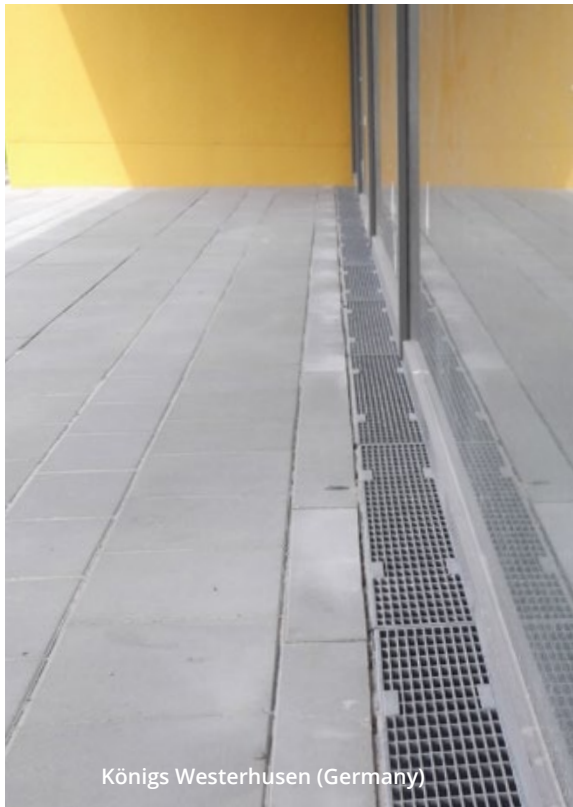


# SYSTEM TOP

Class A 15 / C 250



Orléans (France)



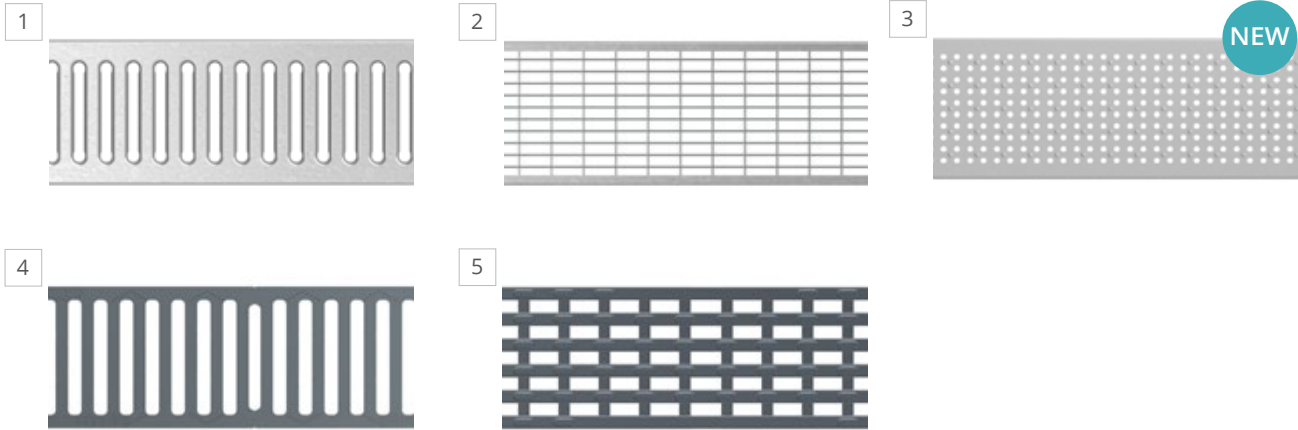
Königs Westerhusen (Germany)



Brørup (Denmark)

# SYSTEM TOP 100


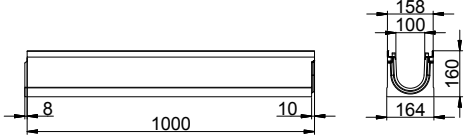

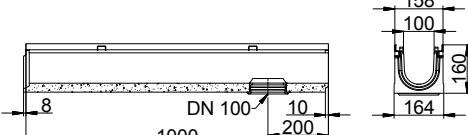

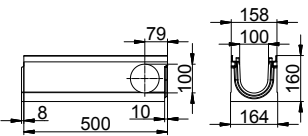

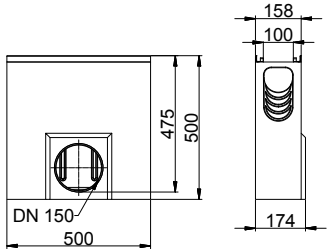
## Gratings



Type	Class	Art. Mo.	Length mm	Inlet opening mm	Inlet area cm <sup>2</sup> /m	kg	Pallet
1	A 15	0314 <b>301</b>	1000	10	359	2,1	96
		0314 <b>305</b>	500			1,1	-
	C 250	0334 <b>301</b>	1000			4,3	96
		0334 <b>305</b>	500			2,2	-
2		0334 <b>411</b>	1000	10/30	900	4,4	96
		0334 <b>415</b>	500			2,2	-
3	A 15	0314 <b>601</b>	1000	6	198	1,8	96
		0314 <b>605</b>	500			1,3	-
	C 250	0334 <b>601</b>	1000			3,9	
		0334 <b>605</b>	500			1,9	
4		0334 <b>201</b>	500	14	564	3,8	144
5		0334 <b>212</b>	500	12	446	4,3	144

# SYSTEM TOP 100

## Channel bodies

<p>Basic element</p> <p>Art. No. 063101000</p>		
<p>Vertical outlet*</p> <p>Art. No. 063101007</p>		
<p>Special element</p> <p>Art. No. 063101006</p>		
<p>Feed box**</p> <p>Art. No. 0631010081</p>		




HYDROTEC Technologies AG  
Düngstruper Straße 46  
27793 Wildeshausen  
Germany

 [office@hydrotec.com](mailto:office@hydrotec.com)

 [www.hydrotec.com](http://www.hydrotec.com)

 +49 4431 9355-0

 +49 4431 9355-22